

# **Slotted raised countersunk (oval) head tapping screws (common head style)**

The European Standard EN ISO 1483 : 1994 has the status of a  
British Standard

UDC 621.882.215.082.8

**NO COPYING IN ANY FORM WITHOUT WRITTEN PERMISSION FROM BSI**



## Cooperating organizations

The European Committee for Standardization (CEN), under whose supervision this European Standard was prepared, comprises the national standards organizations of the following countries:

Austria	Oesterreichisches Normungsinstitut
Belgium	Institut belge de normalisation
Denmark	Dansk Standard
Finland	Suomen Standardisoimisliitto, r.y.
France	Association française de normalisation
Germany	Deutsches Institut für Normung e. V.
Greece	Hellenic Organization for Standardization
Iceland	Technological Institute of Iceland
Ireland	National Standards Authority of Ireland
Italy	Ente Nazionale Italiano di Unificazione
Luxembourg	Inspection du Travail et des Mines
Netherlands	Nederlands Normalisatie-instituut
Norway	Norges Standardiseringsforbund
Portugal	Instituto Português da Qualidade
Spain	Asociación Española de Normalización y Certificación
Sweden	Standardiseringskommissionen i Sverige
Switzerland	Association suisse de normalisation
United Kingdom	British Standards Institution

This British Standard, having been prepared under the direction of the Engineering Sector Board, was published under the authority of the Standards Board and comes into effect on 15 January 1995

© BSI 1995

The following BSI references relate to the work on this standard:  
Committee reference GME/9  
Draft for comment 82/70257 DC

ISBN 0 580 23702 8

### Amendments issued since publication

Amd. No.	Date	Text affected

## Contents

	Page
Cooperating organizations	Inside front cover
National foreword	i
Foreword	2
Text of EN ISO 1483	3
National annex NA (informative) Committees responsible	Inside back cover
National annex NB (informative) Cross-references	Inside back cover

## National foreword

This British Standard has been prepared under the direction of the Engineering Sector Board and is the English language version of EN ISO 1483 : 1994 *Slotted raised countersunk (oval) head tapping screws (common head style)*, published by the European Committee for Standardization (CEN). It is identical with ISO 1483 : 1983, published by the International Organization for Standardization (ISO). EN ISO 1483 : 1994 was produced as a result of international discussions in which the United Kingdom took an active part.

The References clause of EN ISO 1483 states that the International Standards ISO 3269 and ISO 4042 are at the stage of draft. These were subsequently published as follows:

ISO 3269 : 1988	<i>Fasteners — Acceptance inspection</i>
ISO 4042 : 1989	<i>Threaded components — Electroplated coatings</i>

**Compliance with a British Standard does not of itself confer immunity from legal obligations.**

---

UDC 621.882.215.082.8

Descriptors: fasteners, screws, slotted head screws, countersunk head screws, dimensions, designation

English version

## Slotted raised countersunk (oval) head tapping screws (common head style)

(ISO 1483 : 1983)

Vis à tôle à tête fraisée bombée, fendue  
(ISO 1483 : 1983)

Linsensenk-Blechschauben mit Schlitz  
(Einheitskopf)  
(ISO 1483 : 1983)

This European Standard was approved by CEN on 1994-06-20. CEN members are bound to comply with the CEN/CENELEC Internal Regulations which stipulate the conditions for giving this European Standard the status of a national standard without any alteration.

Up-to-date lists and bibliographical references concerning such national standards may be obtained on application to the Central Secretariat or to any CEN member.

This European Standard exists in three official versions (English, French, German). A version in any other language made by translation under the responsibility of a CEN member into its own language and notified to the Central Secretariat has the same status as the official versions.

CEN members are the national standards bodies of Austria, Belgium, Denmark, Finland, France, Germany, Greece, Iceland, Ireland, Italy, Luxembourg, Netherlands, Norway, Portugal, Spain, Sweden, Switzerland and United Kingdom.

# CEN

European Committee for Standardization  
Comité Européen de Normalisation  
Europäisches Komitee für Normung

Central Secretariat: rue de Stassart 36, B-1050 Brussels

### **Foreword**

This European Standard has been taken over by the Technical Committee CEN/TC 185, Threaded and non-threaded mechanical fasteners and accessories, from the work of ISO/TC2, Fasteners, of the International Organization for Standardization (ISO).

This European Standard shall be given the status of a national standard, either by publication of an identical text or by endorsement, at the latest by January 1995, and conflicting national standards shall be withdrawn at the latest by January 1995.

According to the CEN/CENELEC Internal Regulations, the following countries are bound to implement this European Standard: Austria, Belgium, Denmark, Finland, France, Germany, Greece, Iceland, Ireland, Italy, Luxembourg, Netherlands, Norway, Portugal, Spain, Sweden, Switzerland and United Kingdom.

NOTE. Normative references to international publications are listed in annex ZA (normative).

# Slotted raised countersunk (oval) head tapping screws (common head style)

## 1 Scope and field of application

This International Standard specifies the characteristics of slotted raised countersunk (oval) head tapping screws with thread sizes from ST 2,2 to ST 9,5 inclusive.

## 2 References

ISO 225, *Fasteners — Bolts, screws, studs and nuts — Symbols and designations of dimensions.*

ISO 1478, *Tapping screws thread.*

ISO 2702, *Heat-treated steel tapping screws — Mechanical properties.*

ISO 3269, *Fasteners — Acceptance inspection.*<sup>1)</sup>

ISO 4042, *Threaded components — Electroplated coatings components.*<sup>1)</sup>

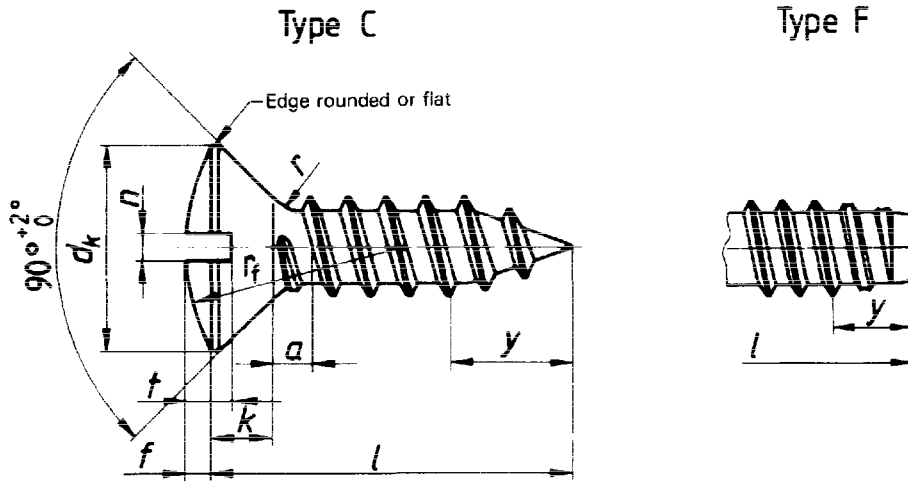
ISO 4759/1, *Tolerances for fasteners — Part 1: Bolts, screws and nuts with thread diameters > 1,6 and < 150 mm and product grades A, B and C.*

ISO 7721, *Countersunk head screws — Head configurations and gauging.*

---

<sup>1)</sup> At present at the stage of draft

3 Dimensions



Dimensions in millimetres

Thread size		ST 2,2	ST 2,9	ST 3,5	ST 4,2	ST 4,8	ST 5,5	ST 6,3	ST 8	ST 9,5	
$p^{1)}$		0,8	1,1	1,3	1,4	1,6	1,8	1,8	2,1	2,1	
$a^{2)}$	max.	0,8	1,1	1,3	1,4	1,6	1,8	1,8	2,1	2,1	
$d_k$	theoretical <sup>3)</sup>	max.	4,4	6,3	8,2	9,4	10,4	11,5	12,6	17,3	20
	actual	max.	3,8	5,5	7,3	8,4	9,3	10,3	11,3	15,8	18,3
		min.	3,5	5,2	6,9	8	8,9	9,9	10,9	15,4	17,8
$f$	≈	0,5	0,7	0,8	1	1,2	1,3	1,4	2	2,3	
$k$	max.	1,1	1,7	2,35	2,6	2,8	3	3,15	4,65	5,25	
$n$	nom.	0,5	0,8	1	1,2	1,2	1,6	1,6	2	2,5	
	min.	0,56	0,86	1,06	1,26	1,26	1,66	1,66	2,06	2,56	
	max.	0,7	1	1,2	1,51	1,51	1,91	1,91	2,31	2,81	
$r$	max.	0,8	1,2	1,4	1,6	2	2,2	2,4	3,2	4	
$r_f$	≈	4	6	8,5	9,5	9,5	11	12	16,5	19,5	
$t$	min.	0,8	1,2	1,4	1,6	2	2,2	2,4	3,2	3,8	
	max.	1	1,45	1,7	1,9	2,4	2,6	2,8	3,7	4,4	
$y$ ref. <sup>4)</sup>	Type C	2	2,6	3,2	3,7	4,3	5	6	7,5	8	
	Type F	1,6	2,1	2,5	2,8	3,2	3,6	3,6	4,2	4,2	
/5)		Type C		Type F							
		nom.	min.	max.	min.	max.					
4,5	3,7	5,3	3,7	4,5		—	—	—	—	—	
6,5	5,7	7,3	5,7	6,5			—	—	—	—	
9,5	8,7	10,3	8,7	9,5				—	—	—	
13	12,2	13,8	12,2	13					—	—	
16	15,2	16,8	15,2	16						—	
19	18,2	19,8	18,2	19							
22	21,2	22,8	20,7	22							
25	24,2	25,8	23,7	25							
32	30,7	33,3	30,7	32							
38	36,7	39,3	36,7	38							
45	43,7	46,3	43,5	45							
50	48,7	51,3	48,5	50							
						Range of commercial lengths					

- 1)  $P$  = pitch of the thread.
- 2) Distance from the underside of the head to the first major diameter of the thread within specified limits.
- 3) See ISO 7721.
- 4) Length of incomplete thread.
- 5) Sizes with lengths marked with a dash (—) in the table shall not be manufactured.

#### 4 Specifications and reference international Standards

<b>Material</b>	Steel, according to ISO 2702
<b>Thread</b>	According to ISO 1478
<b>Mechanical properties</b>	According to ISO 2702
<b>Tolerances</b>	Product grade
	International Standard
<b>Finish</b>	Plain
	Requirements for electroplating are covered in ISO 4042. If different electroplating requirements are desired or if requirements are needed for other finishes, they should be negotiated between customer and supplier.
<b>Acceptability</b>	For acceptance procedure see ISO 3269.

#### 5 Designation

Example for the designation of a slotted raised countersunk (oval) head tapping screw with thread size ST 3,5, nominal length  $l = 16$  mm and cone end type C.

**Tapping screw ISO 1483 - ST 3,5 × 16 - C**



## Annex ZA (normative)

### Normative references to international publications with their relevant European publications

This European Standard incorporates by dated or undated reference, provisions from other publications. These normative references are cited at the appropriate places in the text and the publications are listed hereafter. For dated references, subsequent amendments to or revisions of any of these publications apply to this European Standard only when incorporated in it by amendment or revision. For undated references the latest edition of the publication referred to applies (including amendments).

Publication	Year	Title	EN/HD	Year
ISO 225	1983	<i>Fasteners — Bolts, screws, studs and nuts — Symbols and designations of dimensions</i>	EN 20225	1991
ISO 1478	1983	<i>Tapping screw threads</i>	EN ISO 1478	1994
ISO 7721	1983	<i>Countersunk head screws — Head configuration and gauging</i>	EN 27721	1991

## National annex NA (informative)

### Committees responsible

The United Kingdom participation in the preparation of this European Standard was entrusted by the Engineering Sector Board to Technical Committee GME/9, upon which the following bodies were represented:

BEAMA Ltd.  
 British Constructional Steelwork Association Ltd.  
 British Industrial Fasteners Federation  
 British Steel Industry  
 British Steel Industry (Wire Section)  
 Gauge and Tool Makers' Association  
 National Association of Fastener Stockholders  
 Society of Motor Manufacturers and Traders Ltd.  
 Washer Manufacturers' Association of Great Britain

The following bodies were also represented in the drafting of the standard, through subcommittees and panels:

British Plastics Federation  
 Portable Electric Tool Manufacturers' Association  
 Small Electrical Appliances Marketing Association  
 Timber Trade Federation

## National annex NB (informative)

### Cross-references

Publication referred to	Corresponding British Standard
ISO 225 : 1983	BS EN 20225 : 1992 <i>Fasteners — Bolts, screws, studs and nuts — Symbols and designations of dimensions</i>
ISO 1478 : 1983	BS EN ISO 1478 : 1995 <i>Tapping screw threads</i>
ISO 2702 : 1992	BS EN ISO 2702 : 1995 <i>Heat treated steel tapping screws — Mechanical properties</i>
ISO 4759-1 : 1978	BS 6322 <i>Tolerances for fasteners</i> Part 1 : 1982 <i>Specification for tolerances of bolts, screws and nuts with thread diameters <math>\geq 1.6</math> mm and <math>\leq 150</math> mm and product grades A, B and C</i>
ISO 7721 : 1983	BS EN 27721 : 1992 <i>Countersunk head screws — Head configuration and gauging</i>

---

---

## **BSI — British Standards Institution**

BSI is the independent national body responsible for preparing British Standards. It presents the UK view on standards in Europe and at the international level. It is incorporated by Royal Charter.

### **Contract requirements**

A British Standard does not purport to include all the necessary provisions of a contract. Users of British Standards are responsible for their correct application.

### **Revisions**

British Standards are updated by amendment or revision. Users of British Standards should make sure that they possess the latest amendments or editions.

Any person who finds an inaccuracy or ambiguity while using this British Standard should bring it to the attention of the Quality Manager, BSI without delay so that the matter may be investigated swiftly.

BSI offers members an individual updating service called PLUS which ensures that subscribers automatically receive the latest editions of standards.

### **Buying standards**

Orders for all BSI, international and foreign standards publications should be addressed to Customer Services, Sales Department at Chiswick:  
Tel: 0181 996 7000; Fax: 0181 996 7001.

In response to orders for international standards, it is BSI policy to supply the BSI implementation of those that have been published as British Standards, unless otherwise requested.

### **Information on standards**

BSI provides a wide range of information on national, European and international standards through its Library, the Standardline Database, the BSI Information Technology Service (BITS) and its Technical Help to Exporters Service. Contact the Information Department at Chiswick:  
Tel: 0181 996 7111; Fax: 0181 996 7048.

Subscribing members of BSI are kept up to date with standards developments and receive substantial discounts on the purchase price of standards. For details of these and other benefits contact Customer Services, Membership at Chiswick: Tel: 0181 996 7002; Fax: 0181 996 7001.

### **Copyright**

Copyright subsists in all BSI publications and no part may be reproduced in any form without the prior permission in writing of BSI. This does not preclude the free use, in the course of implementing the standard of necessary details such as symbols and size, type or grade designations including use by incorporation into computer programs, but where these details are reproduced including without limitation in printed form, in computer programs or in any other form whatsoever, the permission in writing of BSI must be obtained and if granted will be on terms including royalty, before the product is sold, licensed or otherwise exploited for commercial gain. Enquiries about copyright should be made to the Copyright Manager at Chiswick.